

Insert 10 - Round Adjustable

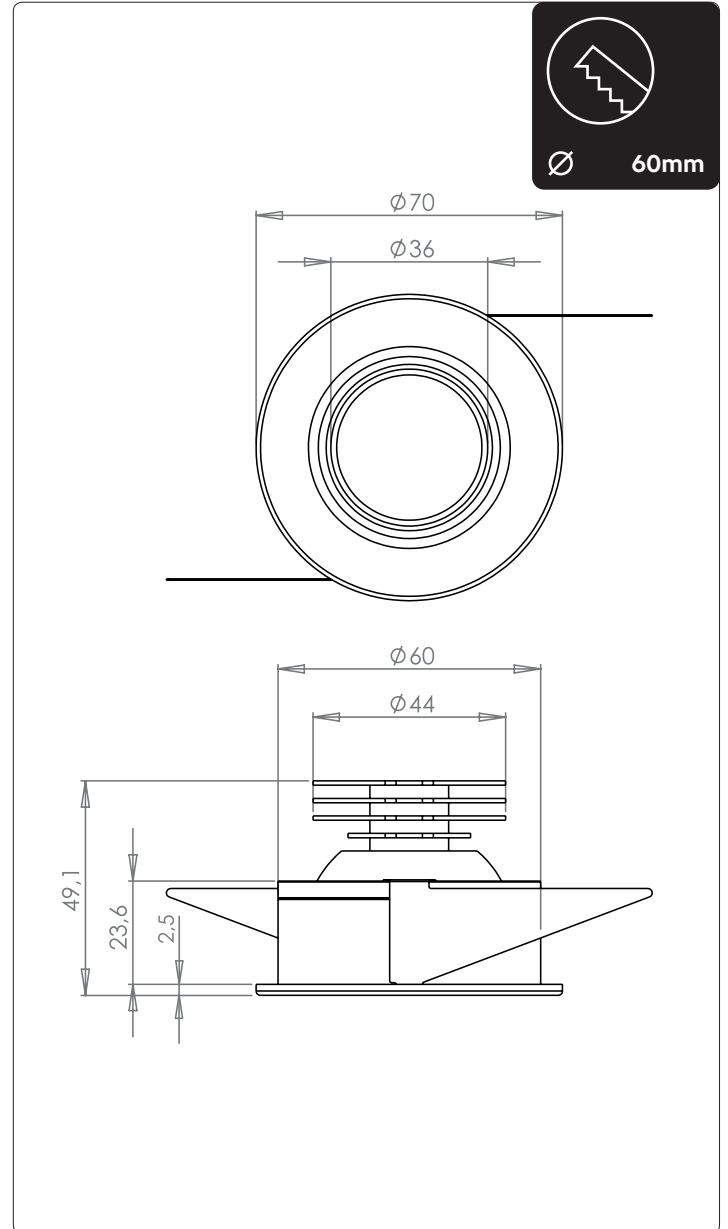
REF: IN100-RO

OUTDOOR EN



↓ PRODUCT DESCRIPTION

This round LED adjustable light is designed for humid indoor locations, or for outdoor use. It is suitable for general, accent or ambient lighting. Its simple form and small size make it easy to fit, and it can produce a wide variety of colour temperatures and beam sizes. The light has internal jointing to make it watertight.



↓ OUTPUT

8W

↓ LUMENS

800lm

↓ COLOUR RENDERING INDEX

IRC90

↓ POWER SUPPLY

0,7A

↓ DIMMING

1-10V



DMX

↓ DEGREES

10°

20°

30°

50°

↓ IP RATING

IP 65

↓ USE



↓ COLOUR TEMPERATURE

2700K

3000K

3500K

4000K

↓ STANDARDS COMPLIANCE

EN 62471

EN 60598-1

EN 60598-2

CE

III

↓ COLOURS

BK

RAL COLOURS

Insert 10 - Round Adjustable

REF: IN100-RO

OUTDOOR

EN

↓ SOURCES

- Luminous flux according to Bining : 800 lumens;
- Colour temperature : 2700 K to 4000 K (2 at 3 Macadam step);
- Service Range : 70 % of nominal flux after 50 000 hours;
- Colour Rendering Index : CRI 90.

↓ OPTICAL CHARACTERISTICS

- PMMA acrylic lens, efficiency ~90 %;
- Available degrees : 10°, 20°, 30° & 50°.

↓ ELECTRICAL CHARACTERISTICS

- Constant current supply : 0,7A;
- Supply connection : Polarised output connectors;
- Power consumption to 8W max, excluding supply;
- Electrical Classification : Class III SELV device.

↓ MECHANICAL CHARACTERISTICS

- Dimensions : Diameter 70 mm, Overall Height 49mm;
- Adjustable to a total angle of 50°;
- Operating temperature : -5° +40°;
- ROHS components;
- Exterior use.

↓ SPECIFICITIES

- Electrolytic treatment available;
- 3 years guarantee.

↓ CLASSIFICATION

Product Ref.	IN100			
Specification	RO			
Colour	Black		BK	
	RAL		CU	
Colour temperature	2700K			27
	3000K			30
	3500K			35
	4000K			40
Degrees	10°			10
	20°			20
	30°			30
	50°			50
REFERENCE	IN100 - RO - BK - 27 - 10			